

# 16M33

Variable Speed Engine

Engine Model	Rated Power	Peak Torque	Displacement	Cylinders	Voltage	Aspiration	Coupling		Throttle
							FWH	FW	
16M33V0D0	1493kW@ 1900 rpm	8050 Nm @1600 rpm	52.3L	V16	24V	T/A-W	SAE0	18"	ECU
16M33V2D0	1716 kW@ 1900 rpm	10000 Nm @ 1600 rpm	52.3L	V16	24V	T/A-W	SAE0	18"	ECU
16M33V4D0	1866 kW@ 1900 rpm	10500 Nm@ 1600 rpm	52.3L	V16	24V	T/A-W	SAE0	18"	ECU

NA=Natural Aspirated, T=Turbocharged, T/A-A=Turbocharged & Air to Air aftercooled, T/A-W=Turbocharged & Air to Water aftercooled

## 16M33V0D0 - Torque Curve

rpm	Nm	kW
1900	7501	1493
1800	7789	1468
1700	8032	1430
1600	8049	1349
1500	8024	1261
1400	7917	1161
1300	7526	1025
1200	6994	879
1099	6420	740
1002	5728	600
900	5134	484
800	4600	385
700	4023	295



## 16M33V2D0 - Torque Curve

rpm	Nm	kW
1900	8622	1716
1800	8951	1687
1700	9499	1691
1600	10001	1676
1500	9299	1461
1400	8865	1300
1300	8201	1117
1200	7400	930
1099	6801	783
1002	5726	600
900	5136	484
800	4599	385
700	4024	295



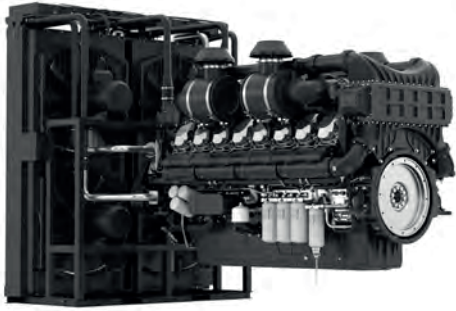
Engine Model	Rated Power	Peak Torque	Displacement	Cylinders	Voltage	Aspiration	Coupling		Throttle
							FWH	FW	
16M33V0D0	1493kW@ 1900 rpm	8050 Nm @1600 rpm	52.3L	V16	24V	T/A-A	SAE0	18"	ECU
16M33V2D0	1716 kW@ 1900 rpm	10000 Nm @ 1600 rpm	52.3L	V16	24V	T/A-A	SAE0	18"	ECU
<b>16M33V4D0</b>	1866 kW@ 1900 rpm	10500 Nm@ 1600 rpm	52.3L	V16	24V	T/A-A	SAE0	18"	ECU

NA=Natural Aspirated, T=Turbocharged, T/A-A=Turbocharged & Air to Air aftercooled, T/A-W=Turbocharged & Air to Water aftercooled

## 16M33V4D0 - Torque Curve

rpm	Nm	kW
1900	9377	1866
1800	9901	1866
1700	10463	1863
1600	10501	1760
1500	10025	1575
1400	9496	1392
1300	8797	1198
1200	7801	980
1099	6901	795
1002	5729	600
900	5135	484
800	4599	385
700	4025	295





## Customer benefits

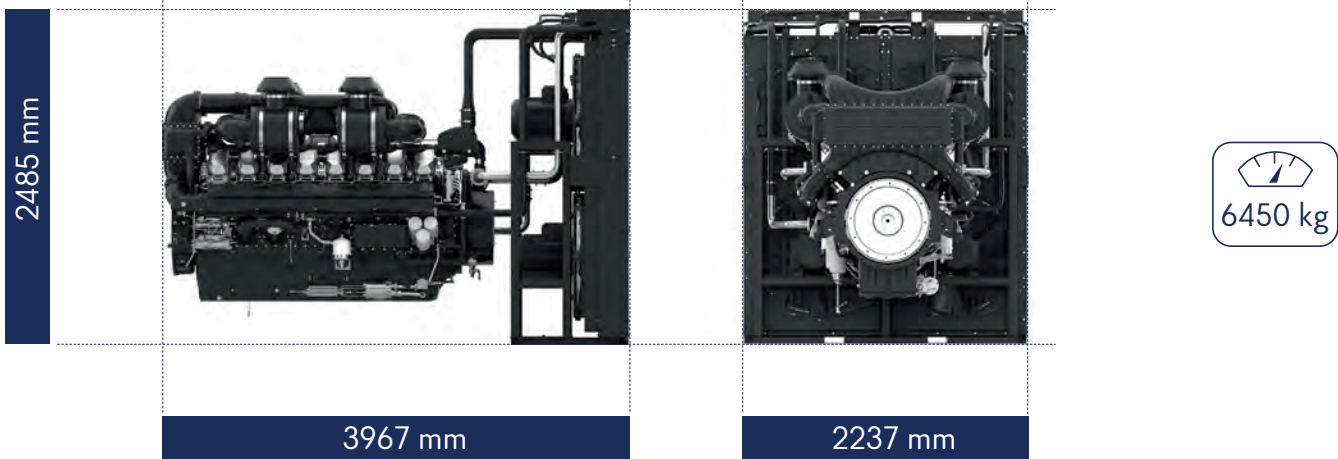
**Optimized for Variable Speed:** Delivers efficient performance across a wide range of operating speeds for both stationary and mobile applications.

**Effortless Maintenance:** Minimizes downtime with easy access to service.

**Fuel Versatility:** Engineered to handle the realities of varying fuel quality.

**Unmatched Peace of Mind:** Backed by a best-in-class warranty of 2 years / 2500 working hours for peace of mind.

## Dimensions and dry weight



## Standard equipment

### Engine and block

Cast iron block  
One-piece forged crankshaft  
Separate cast iron cylinder heads and wet liners  
Aluminum alloy pistons with oil cooling gallery

### Cooling system

Radiator and hoses supplied directly mounted on the engine  
Thermostatically-controlled system with belt driven coolant pump and pusher fan

### Lubrication system

Flat bottom large capacity oil pan  
Spin-on full-flow lube oil filter

### Fuel system

Optimum performance and efficient use of fuel for continuous duty  
Duplex fine filter for better efficiency

### Air intake and exhaust system

Special rear mounted air filter with restriction indicator  
Exhaust manifold shield for heat isolating