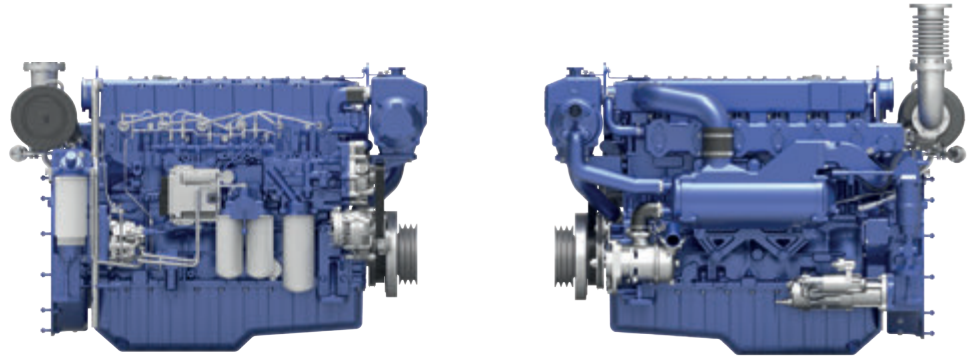


WP7



Technical Data

Engine Model	WP7C150-15E120	WP7C240-18E120	WP7C268-18E120	WP7C278-21E120	WP7C300-22.5E120
Rated Power, Hp(kw)	150(110)	240(176)	268(197)	278(205)	300(220)
Rated Speed (rpm)	1500	1800	1800	2100	2250
Power Rating	P1			P2	
Min. Fuel Consumption, g/(kW·h)	195				
Number of Cylinders & Configuration	in-line 6				
Description	4-stroke, direct-injected, turbocharged diesel engine with air cooler				
Bore x Stroke, mm	108 x 136 mm				
Displacement, L	7.47 L				
Compression Ratio	18:1				
Dry Weight, kg	900 kg				
Emission	IMO Tier II				
Firing Order	1-5-3-6-2-4				
Idle Speed, r/min	650 ± 30				
Flywheel housing/Flywheel	SAE 1/14"				

Class Definition

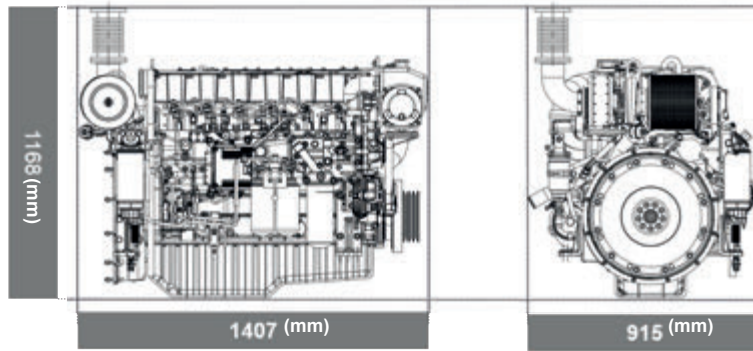
Power Classification	Time at full load	Mean Engine Load Factor	Annual Working Time
P1 Continuous Duty	Unlimited	70% ~ 100%	recommended but not limited to 5000h-8000h
P2 Heavy Duty	8h per 12h	40% ~ 80%	recommended but not limited to 5000h
P3 Intermittent Duty	4h per 12h	40% ~ 80%	recommended but not limited to 3000h
P4 Light Duty	2h per 8h	60%	recommended but not limited to 1000h
P5 High Performance Duty	0.5h per 5h	60%	recommended but not limited to 500h

Power Definition

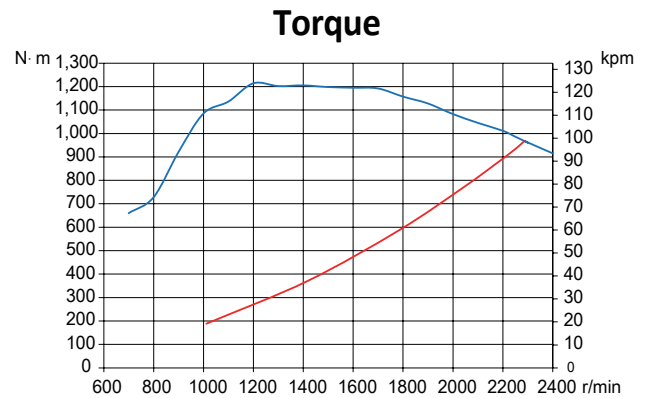
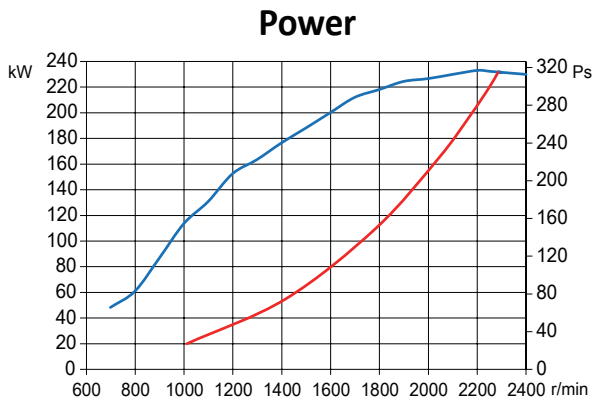
Standard ISO 3046 -1

WP7

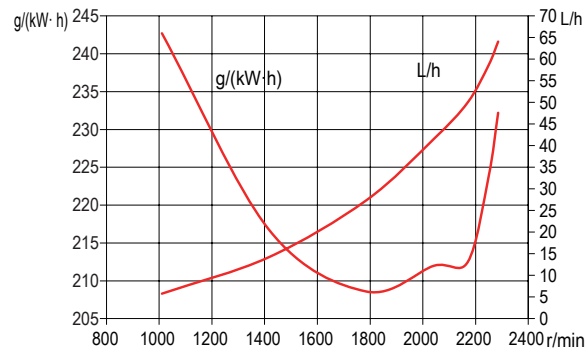
Engine Dimensions (mm)



Performance Curves (WP7C300-22.5E120)



Fuel Consumption



— Full load speed characteristics — Propeller characteristics