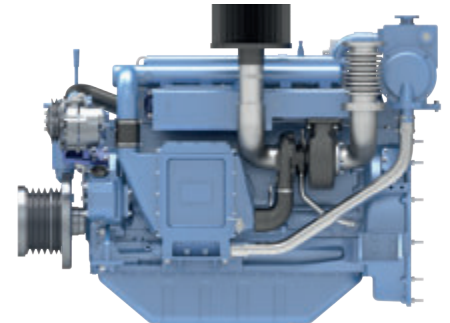
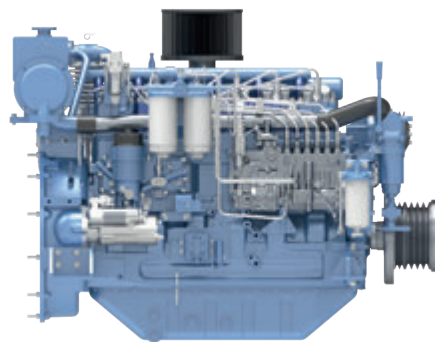


WP6



Technical Data

Engine Model	WP6C150-15	WP6C165-18	WP6C185-21	WP6C220-23	WP6C250-23
Rated Power, Hp(kw)	150(110)	165(122)	185(136)	220(162)	250(168)
Rated Speed (rpm)	1500	1800	2100	2300	2230
Power Rating			P1		P3
Min. Fuel Consumption, g/(kW·h)	195				
Number of Cylinders & Configuration	in-line 6				
Description	4-stroke, direct-injected, turbocharged diesel engine with charge air cooler				
Bore x Stroke, mm	105 x 130 mm				
Displacement, L	6.5 L				
Compression Ratio	18:1				
Dry Weight, kg	750 kg				
Emission	IMO Tier II				
Firing Order	1-5-3-6-2-4				
Idle Speed, r/min	650 ± 30				
Flywheel housing/Flywheel	SAE 1/14"				

Class Definition

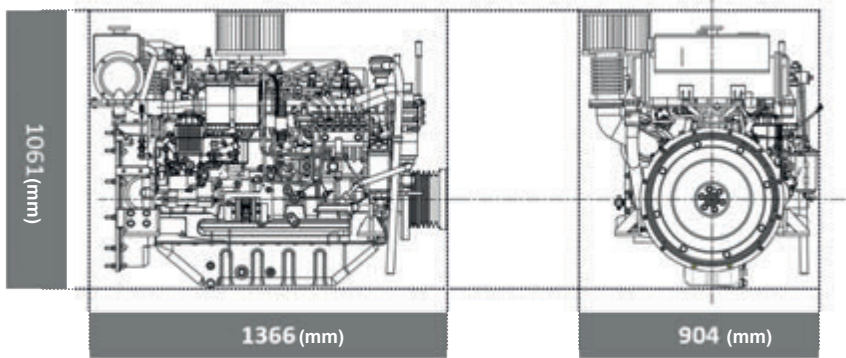
Power Classification	Time at full load	Mean Engine Load Factor	Annual Working Time
P1 Continuous Duty	Unlimited	70% ~ 100%	recommended but not limited to 5000h-8000h
P2 Heavy Duty	8h per 12h	40% ~ 80%	recommended but not limited to 5000h
P3 Intermittent Duty	4h per 12h	40% ~ 80%	recommended but not limited to 3000h
P4 Light Duty	2h per 8h	60%	recommended but not limited to 1000h
P5 High Performance Duty	0.5h per 5h	60%	recommended but not limited to 500h

Power Definition

Standard ISO 3046-1

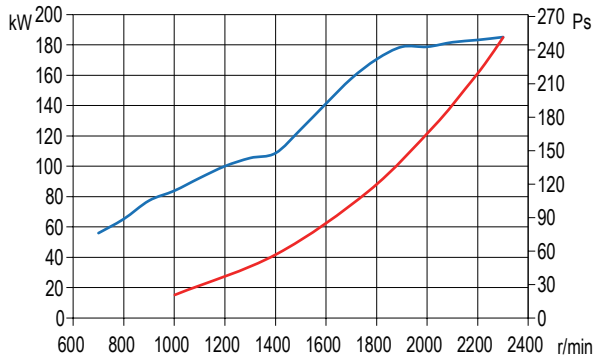
WP6

Engine Dimensions (mm)

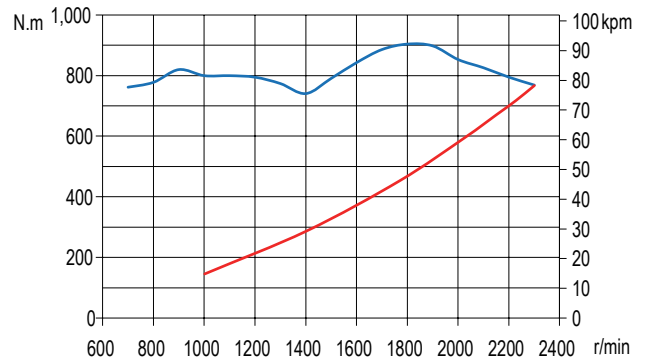


Performance Curves (WP6C250-23)

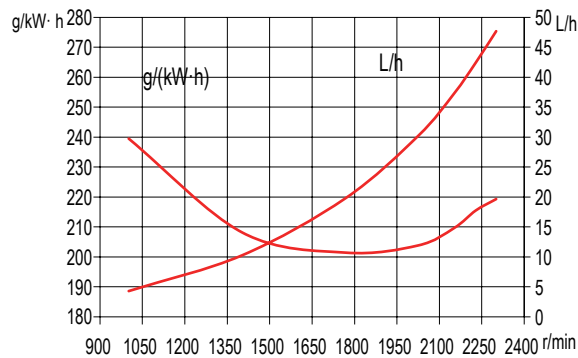
Power



Toque



Fuel Consumption



— Full load speed characteristics — Propeller characteristics