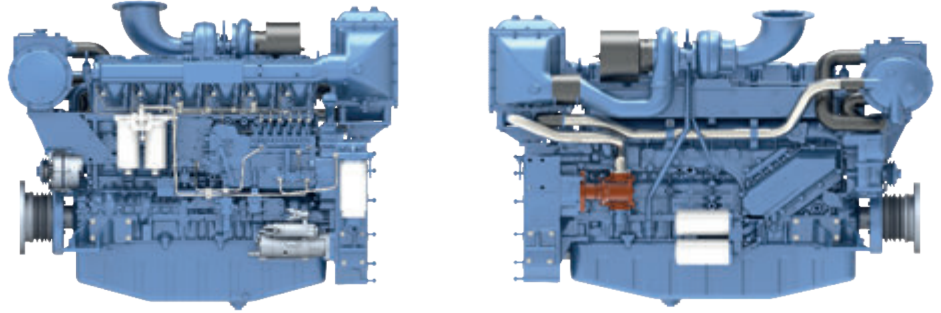


WP13



Technical Data

Engine Model	WP13C450-18	WP13C482-18	WP13C500-18
Rated Power, Hp(kw)	450(330)	482(354)	500 (368)
Rated Speed (rpm)	1800	1800	1800
Power Rating		P1	
Min. Fuel Consumption, g/(kW·h)		215	
Number of Cylinders & Configuration		In-line 6	
Description	4-stroke,direct-injected,turbocharged diesel engine		
Bore x Stroke, mm		127 x 165 mm	
Displacement, L		12.54 L	
Compression Ratio		16:1	
Dry Weight, kg		1200 kg	
Emission		IMO Tier II	
Firing Order		1-5-3-6-2-4	
Idle Speed, r/min		650 ±25	
Flywheel housing/Flywheel		SAE 1/14"	

Class Definition

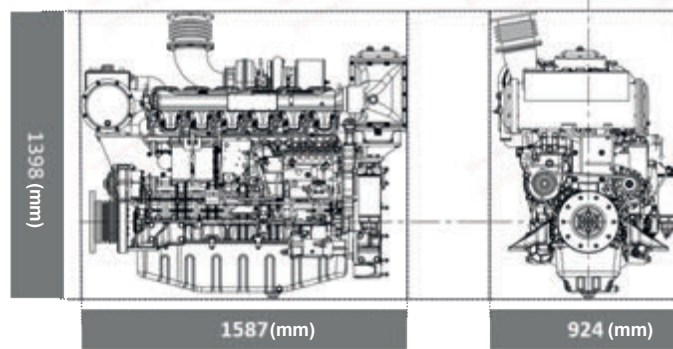
Power Classification	Time at full load	Mean Engine Load Factor	Annual Working Time
P1 Continuous Duty	Unlimited	70% ~ 100%	recommended but not limited to 5000h-8000h
P2 Heavy Duty	8h per 12h	40% ~ 80%	recommended but not limited to 5000h
P3 Intermittent Duty	4h per 12h	40% ~ 80%	recommended but not limited to 3000h
P4 Light Duty	2h per 8h	60%	recommended but not limited to 1000h
P5 High Performance Duty	0.5h per 5h	60%	recommended but not limited to 500h

Power Definition

Standard ISO 3046-1

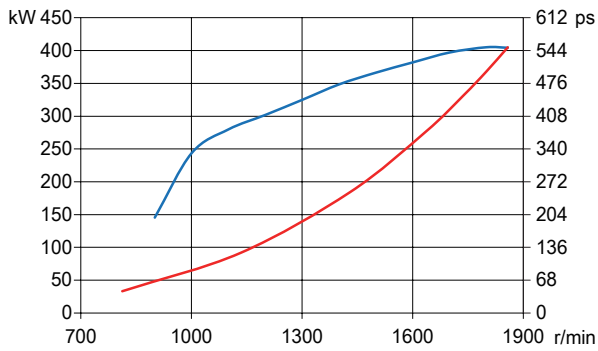
WP13

Engine Dimensions (mm)

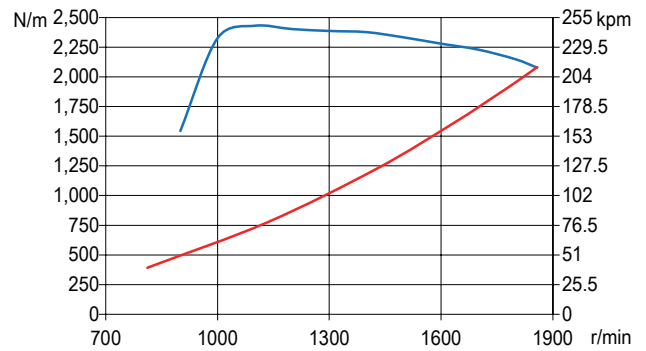


Performance Curves (WP13C500-18)

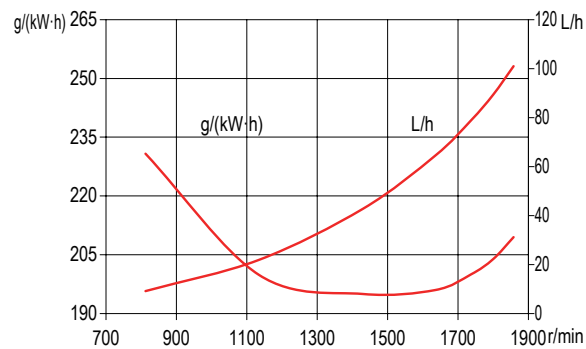
Power



Torque



Fuel Consumption



— Full load speed characteristics — Propeller characteristics