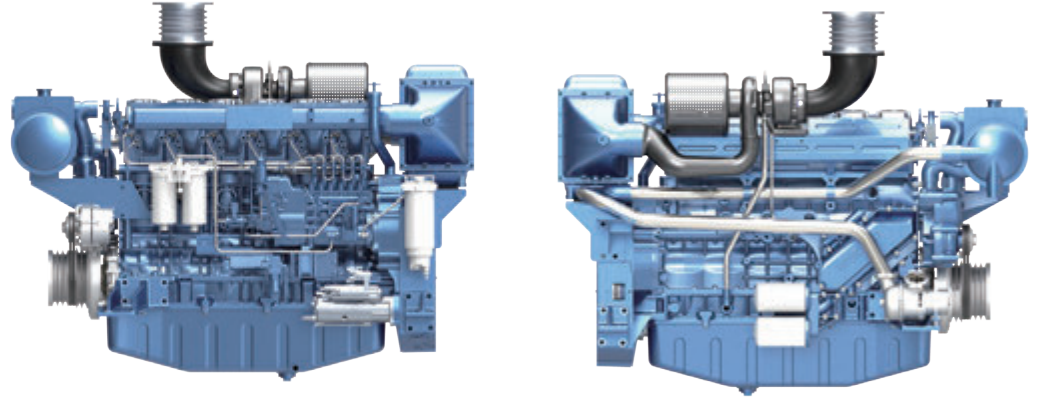


WP12



Technical Data

Engine Model	WP12C400-18	WP12C450-21
Rated Power, Hp(kw)	400(295)	450(330)
Rated Speed (rpm)	1800	2100
Power Rating		P1
Min. Fuel Consumption, g/(kW·h)		195
Number of Cylinders & Configuration		In-line 6
Description	4-stroke, direct-injected, turbocharged diesel engine	
Bore x Stroke, mm	126 x 155 mm	
Displacement, L	11.596 L	
Compression Ratio	17:1	
Dry Weight, kg	1200 kg	
Emission	IMO Tier II	
Firing Order	1-5-3-6-2-4	
Idle Speed, r/min	650 ± 50	
Flywheel housing/Flywheel	SAE 1/14"	

Class Definition

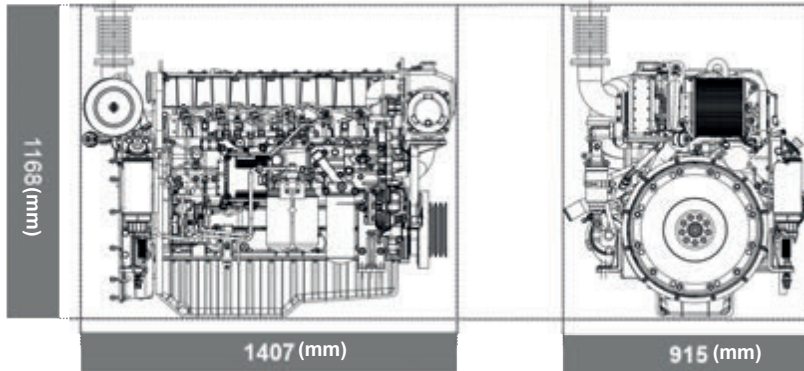
Power Classification	Time at full load	Mean Engine Load Factor	Annual Working Time
P1 Continuous Duty	Unlimited	70% ~ 100%	recommended but not limited to 5000h-8000h
P2 Heavy Duty	8h per 12h	40% ~ 80%	recommended but not limited to 5000h
P3 Intermittent Duty	4h per 12h	40% ~ 80%	recommended but not limited to 3000h
P4 Light Duty	2h per 8h	60%	recommended but not limited to 1000h
P5 High Performance Duty	0.5h per 5h	60%	recommended but not limited to 500h

Power Definition

Standard ISO 3046-1

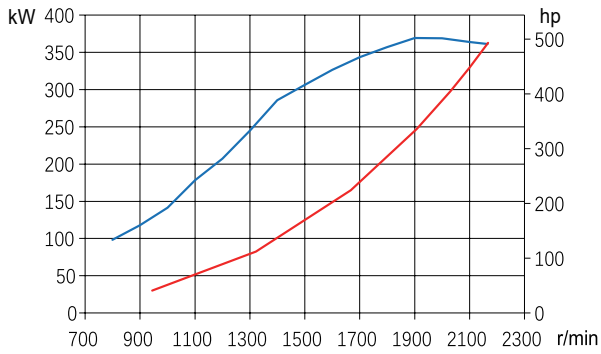
WP12

Engine Dimensions (mm)

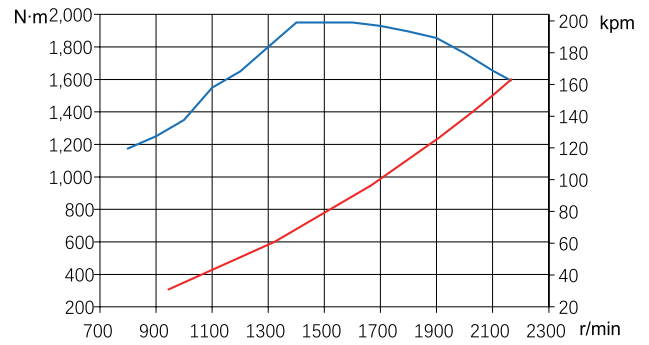


Performance Curves (WP12C450-21)

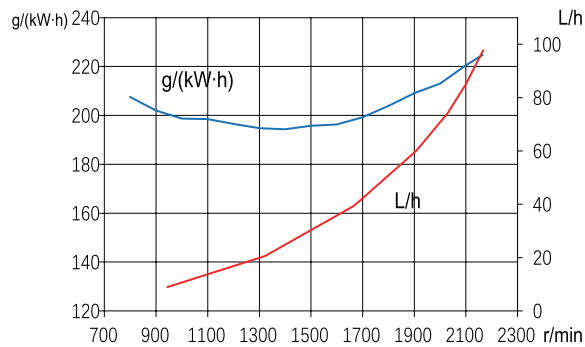
Power



Torque



Fuel Consumption



— Full load speed characteristics — Propeller characteristics