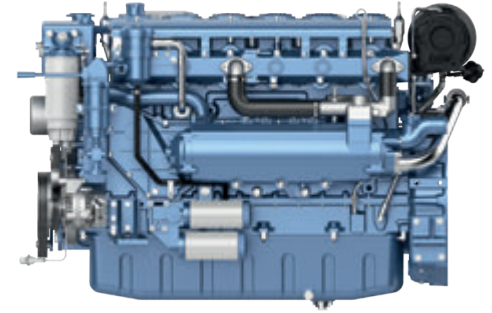
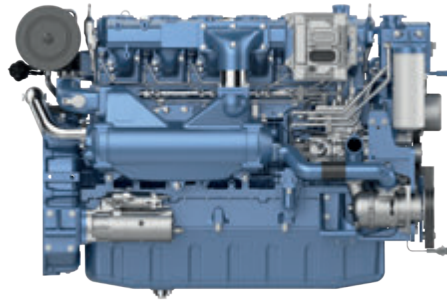


# WP10CR



### Technical Data

Engine Model	WP10C313-21E120	WP10C350-18E120	WP10C375-21E120	WP10C395-22E120
Rated Power, Hp(kw)	313(230)	350(257)	375(275)	395(290)
Rated Speed (rpm)	2130	1800	2100	220
Power Rating	P1	P1	P2	P3
Min. Fuel Consumption, g/(kW·h)	191			
Number of Cylinders & Configuration	in-line 6			
Description	4-stroke, common rail , turbocharged air cooler			
Bore x Stroke, mm	126 x 130 mm			
Displacement, L	9.726 L			
Compression Ratio	17:1			
Dry Weight, kg	1082 kg			
Emission	IMO Tier II			
Firing Order	1-5-3-6-2-4			
Idle Speed, r/min	600			
Flywheel housing/Flywheel	SAE 1/14"			

### Class Definition

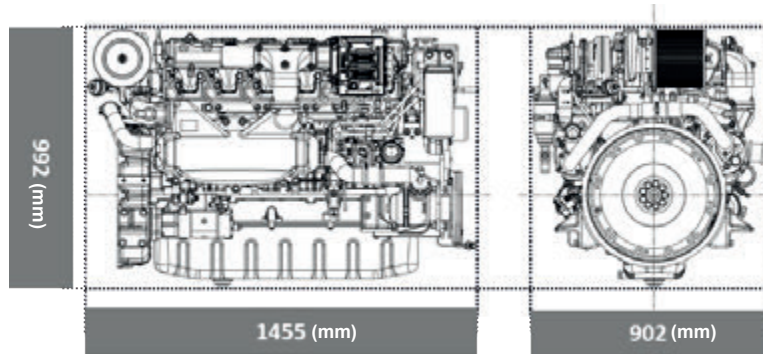
Power Classification	Time at full load	Mean Engine Load Factor	Annual Working Time
P1 Continuous Duty	Unlimited	70% ~ 100%	recommended but not limited to 5000h-8000h
P2 Heavy Duty	8h per 12h	40% ~ 80%	recommended but not limited to 5000h
P3 Intermittent Duty	4h per 12h	40% ~ 80%	recommended but not limited to 3000h
P4 Light Duty	2h per 8h	60%	recommended but not limited to 1000h
P5 High Performance Duty	0.5h per 5h	60%	recommended but not limited to 500h

### Power Definition

Standard ISO 3046-1

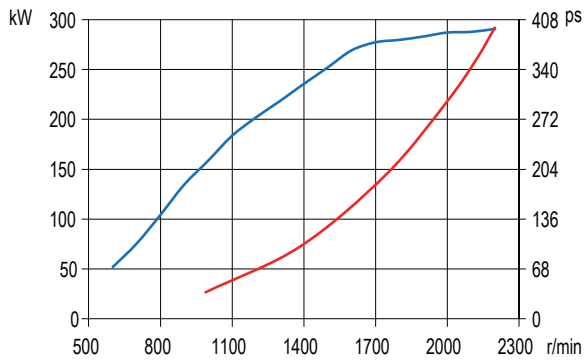
## WP10CR

### Engine Dimensions ( mm )

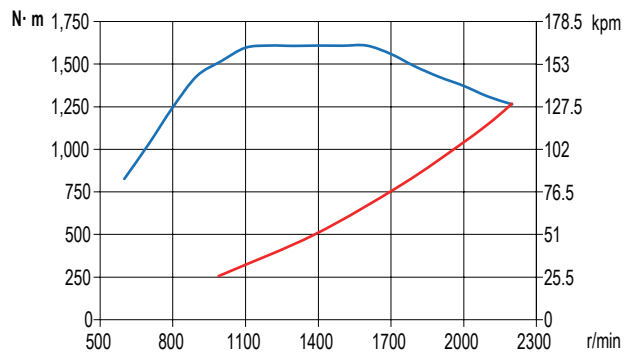


### Performance Curves (WP10C395-22E120)

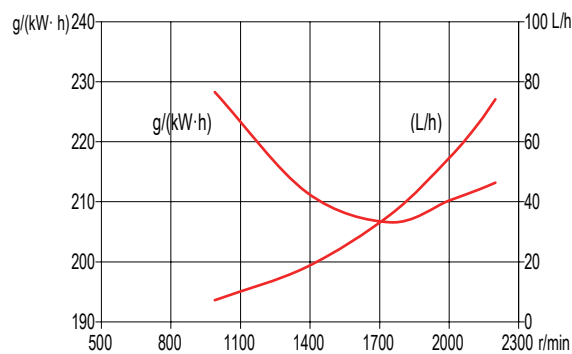
#### Power



#### Torque



#### Fuel Consumption



— Full load speed characteristics — Propeller characteristics