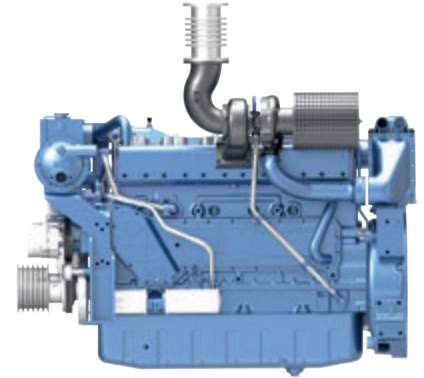
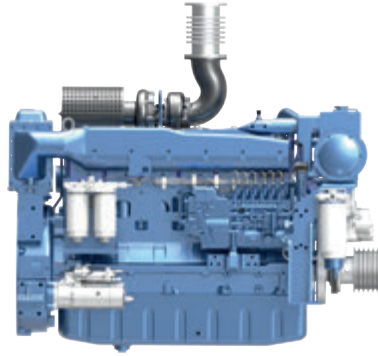


WD10



Technical Data

Engine Model	WD10C190-15	WD10C240-18	WD10C278-18	WD10C278-21	WD10C326-21
Rated Power, Hp(kw)	190(140)	240(176)	278(205)	278(205)	326(240)
Rated Speed (rpm)	1500	1800	1800	2100	2100
Power Rating	P1				
Min. Fuel Consumption, g/(kW·h)	198				
Number of Cylinders & Configuration	in-line 6				
Description	4-stroke, direct-injected, turbocharged diesel engine with air cooler				
Bore x Stroke, mm	126 x 130 mm				
Displacement, L	9.726 L				
Compression Ratio	17:1				
Dry Weight, kg	1056 kg				
Emission	IMO Tier II				
Firing Order	1-5-3-6-2-4				
Idle Speed, r/min	650 ± 50				
Flywheel housing/Flywheel	SAE 1/14"				

Class Definition

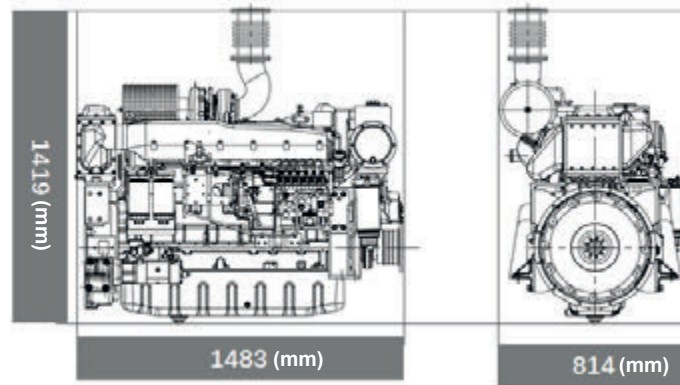
Power Classification	Time at full load	Mean Engine Load Factor	Annual Working Time
P1 Continuous Duty	Unlimited	70% ~ 100%	recommended but not limited to 5000h-8000h
P2 Heavy Duty	8h per 12h	40% ~ 80%	recommended but not limited to 5000h
P3 Intermittent Duty	4h per 12h	40% ~ 80%	recommended but not limited to 3000h
P4 Light Duty	2h per 8h	60%	recommended but not limited to 1000h
P5 High Performance Duty	0.5h per 5h	60%	recommended but not limited to 500h

Power Definition

Standard ISO 3046/1 - 1995 (F)

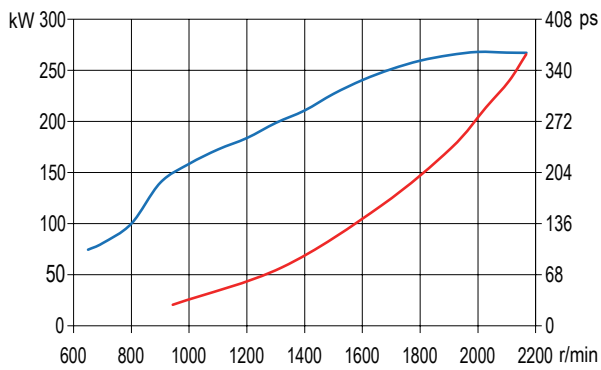
WD10

Engine Dimensions (mm)

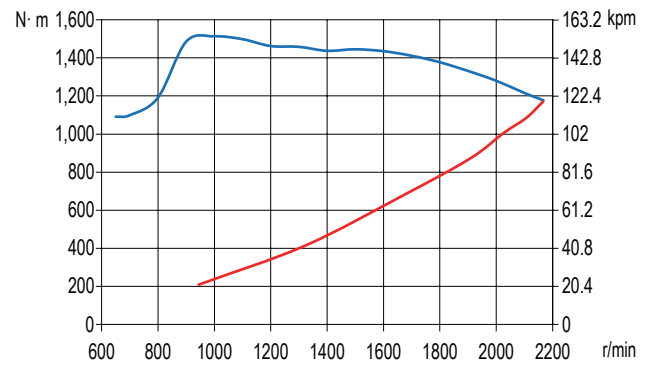


Performance Curves (WD10C326-21)

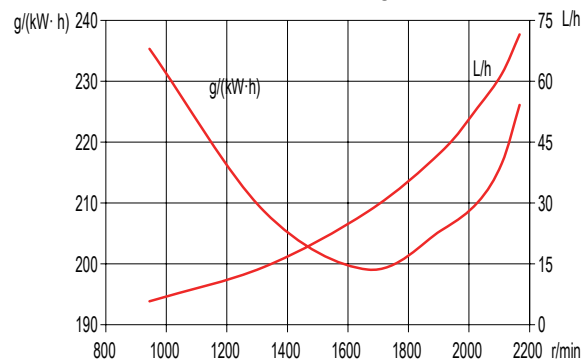
Power



Torque



Fuel Consumption



— Full load speed characteristics — Propeller characteristics